

QUICK GUIDE



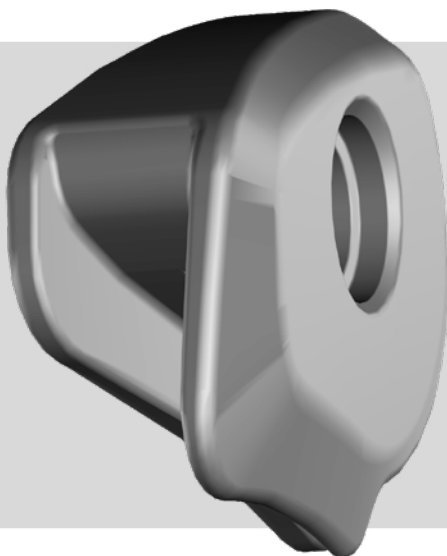
LOVE THE RIDE

Mid-drive slider replacement

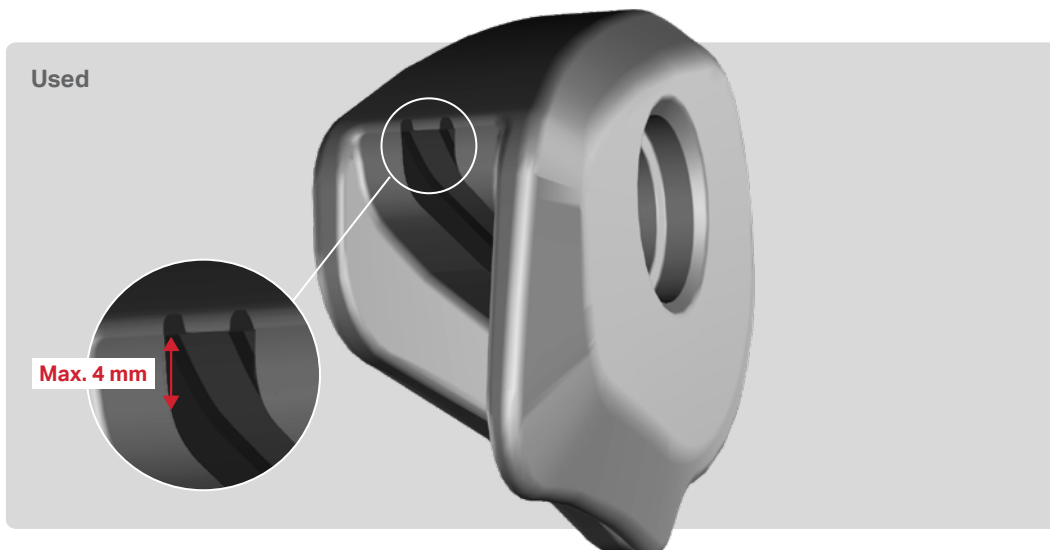
MID-DRIVE SLIDER

Your Powerplay bike uses a mid-drive slider to control the force of the chain and direct it to the drive pinion. This is a sacrificial wear item and should be cleaned, inspected, and replaced as necessary. Keep the chain clean and lubricated to prolong the life of the slider.

New



Used



Wear item:
Replace when chain
trough is 4 mm deep.
