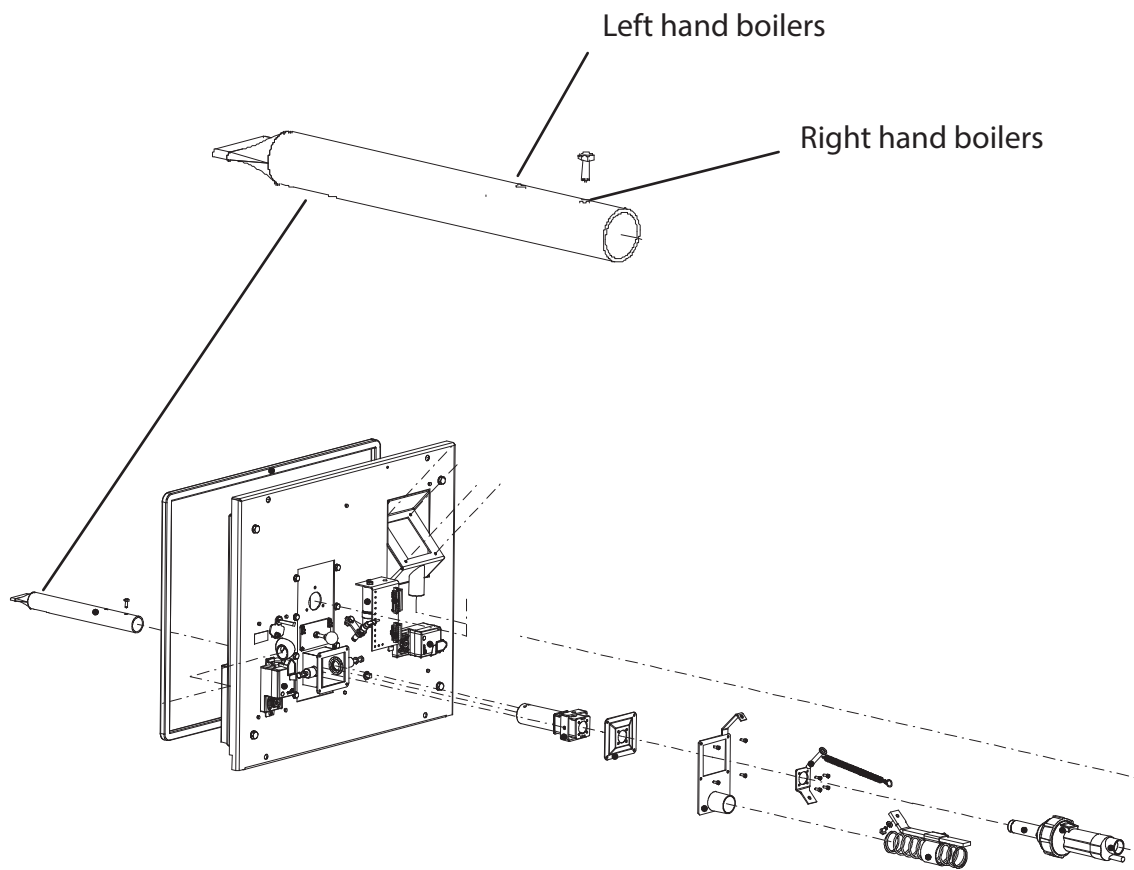


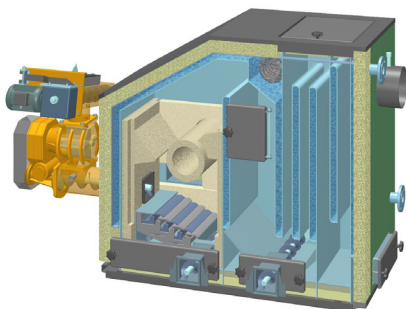
Technical Bulletin	Z104
Product Group	Biomass
Edition No:	1
Date	05/2022

Correct location of ignitor tubes C100-C200

Ignitor tubes have two location holes on their top edge. The choice of which to use depends on the hand of the boiler. Fuel arriving from the auger will always fall to the right as this is the direction the auger moves. This results in the fuel falling towards or away from the ignitor tube. Right-hand boilers use the hole towards the end as the ignitor needs to be more to the right of the combustion chamber. For left-handed boilers the 2nd hole is shown



Left handed version



Right handed version

